



**NEW!**

## ENGINE

|                 |   |
|-----------------|---|
| Model           | : ISUZU-6UZ1X   |
| Type            | : Water-cooled, 4 cycle, 6 cylinders, line type, direct injection, turbocharger, intercooler, diesel engine |
| Power           | : 362 HP (270 kW) @2000 rpm / SAE J1995 (Gross)   |
| Max. Torque     | : 1650 Nm @1300 rpm (Gross)   |
| Displacement    | : 9839 cc   |
| Bore and Stroke | : ø 120 mm x 145 mm   |
| Emission Class  | : Stage V-EU  |

## UNDERCARRIAGE

|   |                               |
|---|-------------------------------|
| X Type Lower Frame Construction Pentagon Box Type Chassis |                               |
| Shoe  | : 3 grouser                   |
| No. Of Shoes  | : 2 x 50                      |
| No. Of Lower Rollers                                      | : 2 x 9                       |
| No. Of Upper Rollers                                      | : 2 x 2                       |
| Full Trackguard   | : Complete                    |
| Track Tensioning  | : Hydraulic Spring Tensioning |

## CAB

|  |
|--|
| <ul style="list-style-type: none"> <li>• Wide cab and easy entrance</li> <li>• Use of six viscomount cabin mountings that dampen the vibrations</li> <li>• Cooled storage room</li> <li>• Colourful, Easy to read TFT indicant monitor</li> <li>• Glass holder, book and object storage pockets</li> <li>• Full automatic digitally air-conditioner</li> <li>• Overclass standards on the visibility</li> <li>• Pool type flor mat</li> <li>• Improved operator's comfort through versatile adjustable seat</li> <li>• Ergonomically redesigned cabin through relocated switch board, and re-styled travel pedals and joysticks.</li> <li>• USB connected MP3 player</li> <li>• Easy to open the front sliding glass</li> <li>• Front and rear sun visor</li> <li>• Large storage areas</li> <li>• Improved seat to back angle</li> <li>• The height adjustable seat armrests</li> <li>• Opera Control System</li> </ul> |
|--|

## TRAVEL AND BRAKERS

|                              |  |
|------------------------------|--|
| Travel                       | : Fully hydrostatic                                  |
| Travel Motors                | : Axial piston type                                  |
| Reduction                    | : 3 stage planetary gear                             |
| <b>Travel Speed</b>          |  |
| High Speed                   | : 4,60 km/h  |
| Low Speed                    | : 2,80 km/h  |
| Max. Drawbar Pull            | : 35,880 kgf   |
| Gradeability                 | : 35° (%70)  |
| Parking Brake                | : Hydraulic multi disc type, integrated transmission |
| Ground Pressure (600mm Shoe) | : 0,91 kgf/cm <sup>2</sup>                           |

## HYDRAULIC SYSTEM

|                      |   |
|----------------------|---|
| <b>Main Pump</b>     |   |
| Type                 | : Double variable displacement axial piston pumps |
| Max. Flow            | : 2 x 376 L/min                                   |
| Pilot Pump           | : 29 L/min  |
| <b>Relief Valves</b> |   |
| Attachment           | : 330 kgf/cm <sup>2</sup>                         |
| Power Boost          | : 355 kgf/cm <sup>2</sup>                         |
| Travel               | : 330 kgf/cm <sup>2</sup>                         |
| Swing                | : 330 kgf/cm <sup>2</sup>                         |
| Pilot                | : 40 kgf/cm <sup>2</sup>                          |
| <b>Cylinders</b>     |   |
| Main Boom            | : 2 x ø 170 x ø 115 x 1.650 mm                    |
| Stick Cylinder       | : 1 x ø 190 x ø 130 x 1.870 mm                    |
| Bucket Cylinder      | : 1 x ø 170 x ø 120 x 1.335 mm                    |

## OPERA CONTROL SYSTEM

|   |   |
|---|---|
| <ul style="list-style-type: none"> <li>• Automatic idling Selection of multi-language on control panel</li> <li>• Improved fuel economy and productivity</li> <li>• Automatical electric power-off</li> <li>• Maximum efficiency by selection of power and work modes</li> <li>• Error mode registry and warning system</li> <li>• Hidromek Smartlink (Optional)</li> <li>• Automatic preheating</li> <li>• Automatical powerboost</li> </ul> | <ul style="list-style-type: none"> <li>• Overheat prevention and protection system without interrupting the work</li> <li>• Easy-to-use control panel and menus</li> <li>• Rear-view, arm-view camera</li> <li>• Possibility to register 27 different operating hours</li> <li>• Anti-theft system with personal code</li> <li>• Real time monitoring of operational parameters such as pressure, temperature, engine load</li> </ul> |
|---|---|

## SWING SYSTEM

|              |   |
|--------------|---|
| Swing Motor  | : Axial piston type integrated with shock absorber valves |
| Reduction    | : 2 stage planetary gear box.                             |
| Swing Brakes | : Hydraulic multi disc type, automatic warnings           |
| Swing Speed  | : 8,10 rpm  |

## CAPACITY

|                  |         |                       |        |
|------------------|---------|-----------------------|--------|
| Fuel Tank        | : 655 L | Engine Oil            | : 41 L |
| Hydraulic Tank   | : 370 L | Engine Cooling System | : 65 L |
| Hydraulic System | : 615 L | Urea Tank             | : 33 L |

## ELECTRICAL SYSTEM

|                |                     |
|----------------|---------------------|
| Voltage        | : 24 V              |
| Battery        | : 2 x 12 V x 165 Ah |
| Alternator     | : 24 V / 50 A       |
| Starting Motor | : 24 V / 5,5 kw     |

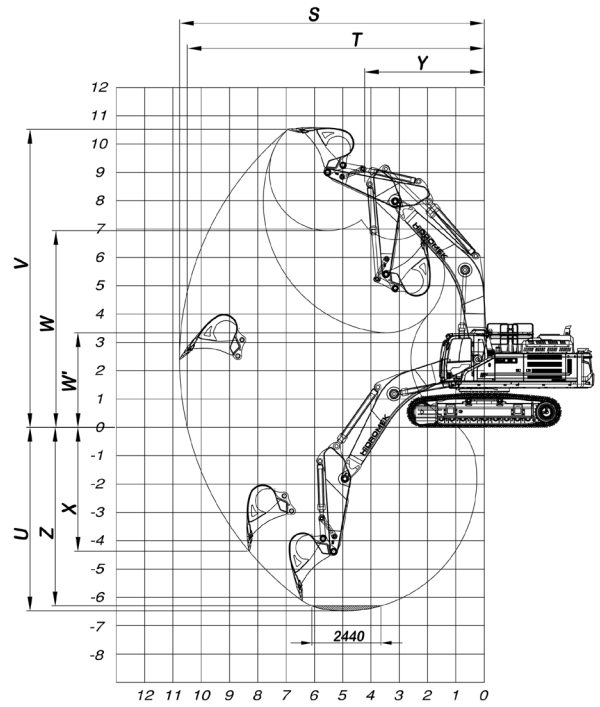
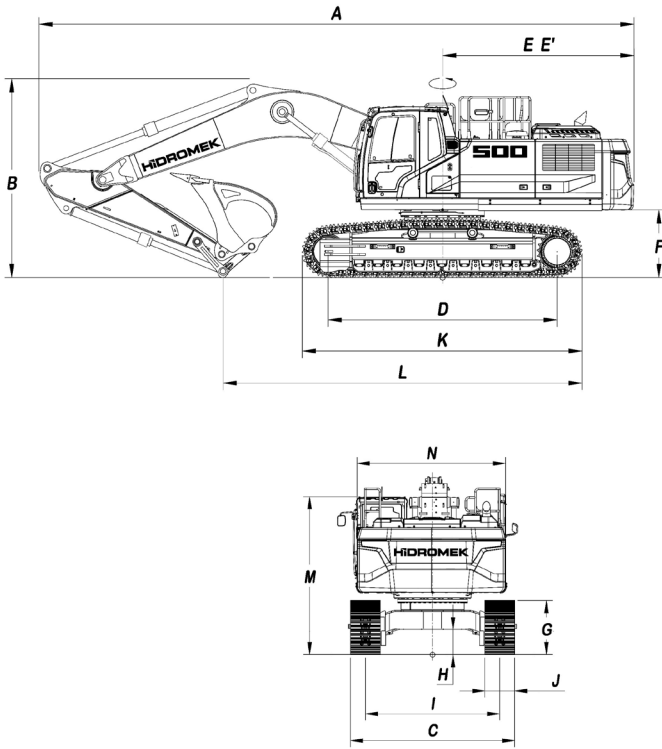
## LUBRICATION

Centralized lubrication system is provided for lubrication all difficult-to-reach parts on the components, such as boom and arm

## OPERATING WEIGHT

|                                   |             |
|-----------------------------------|-------------|
| Standard machine operating weight | : 52.000 kg |
|-----------------------------------|-------------|

Operational weight, complying with the ISO 6016 standards, includes full fuel tank, hydraulic system and other liquids, 75kg operator weight and standard equipped machine weight. Optional equipments are not included.



## GENERAL DIMENSIONS

| Boom Dimension                       | *6.300 mm |           | 6.900 mm  |           |
|--------------------------------------|-----------|-----------|-----------|-----------|
| Arm Dimension                        | *2.600 mm | 2.900 mm  | 2.900 mm  | 3.300 mm  |
| A - Overall Length                   | 11.840 mm | 11.850 mm | 12.450 mm | 12.440 mm |
| B - Overall Height (to top of boom)  | 3.860 mm  | 3.990 mm  | 3.950 mm  | 4.160 mm  |
| C - Overall Width                    | 3.500 mm  |           |           |           |
| D - Idler Distance                   | 4.400 mm  |           |           |           |
| E - Counterweight Distance           | 3.985 mm  |           |           |           |
| E' - Turning Radius                  | 4.005 mm  |           |           |           |
| F - Upper Structure Ground Clearance | 1.385 mm  |           |           |           |
| G - Crawler Height                   | 1.230 mm  |           |           |           |
| H - Minimum Ground Clearance         | 600 mm    |           |           |           |
| I - Track Gauge                      | 2.900 mm  |           |           |           |
| J - Shoe Width                       | 600 mm    |           |           |           |
| K - Overall Length of Crawler        | 5.500 mm  |           |           |           |
| L - Length Over Ground               | 6.910 mm  | 6.740 mm  | 7.500 mm  | 7.310 mm  |
| M - Overall Height (to Top of Cab)   | 3.360 mm  |           |           |           |
| N - Upper Structure Width            | 2.990 mm  |           |           |           |

\* Standard

## WORKING DIMENSIONS

| Boom Dimension                            | 6.300 mm  |           | 6.900 mm  |           |
|---|-----------|-----------|-----------|-----------|
| Arm Dimension                             | *2.600 mm | 2.900 mm  | 2.900 mm  | 3.300 mm  |
| S - Maximum Digging Reach                 | 10.770 mm | 11.040 mm | 11.680 mm | 12.040 mm |
| T - Maximum Digging Reach at Ground Level | 10.490 mm | 10.770 mm | 11.430 mm | 11.800 mm |
| U - Maximum Digging Depth                 | 6.480 mm  | 6.780 mm  | 7.180 mm  | 7.580 mm  |
| V - Maximum Digging Height                | 10.510 mm | 10.630 mm | 11.340 mm | 11.530 mm |
| W - Maximum Dumping Clearance             | 6.940 mm  | 7.060 mm  | 7.710 mm  | 7.880 mm  |
| W' - Minimum Dumping Clearance            | 3.330 mm  | 3.040 mm  | 3.590 mm  | 3.190 mm  |
| X - Maximum Vertical Digging Depth        | 4.470 mm  | 4.740 mm  | 5.280 mm  | 5.740 mm  |
| Y - Minimum Swing Radius                  | 4.320 mm  | 4.380 mm  | 4.660 mm  | 4.750 mm  |
| Z - Maximum Digging Depth (2440 mm level) | 6.300 mm  | 6.610 mm  | 7.020 mm  | 7.430 mm  |

## DIGGING PERFORMANCE

|  |                          |
|--|--------------------------|
| Standard Bucket Capacity               | 3,2 m <sup>3</sup> (SAE) |
| Bucket Digging Force (Power Boost) ISO | 25.300 (27.600) kgf      |
| Arm Crowd Force (Power Boost) ISO      | 25.000 (27.300) kgf      |



## HİDROMEK®

### FACTORY - HEAD OFFICE

Ahi Evran OSB Mahallesi Osmanlı Caddesi No:1 06935 Sincan / ANKARA / TURKEY  
Tel: (+90) 312 267 12 60 Fax: (+90) 312 267 12 39  
www.hidromek.com

Notice:  
Hidromek has the right to modify the specifications and design of the model indicated on this brochure without prior notice.